



## Model Name

## W1050 Digital Projector

### Unique Selling Point

- \* 96% coverage of Rec. 709 color space
- \* Hassle-free installation
- \* 100" big screen at only 2.8 meters
- \* 1.2x Zoom increases flexibility for the space
- \* Lamp Power saving technology

### Trade Mark



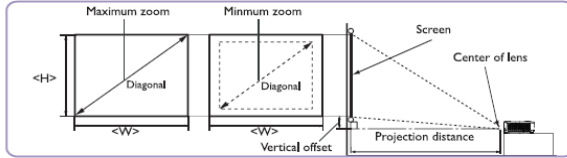
<b>Projection System</b>	DLP	
<b>Native Resolution</b>	1080p (1920 x 1080)	
<b>Brightness</b>	2200 AL	
<b>FOFO Contrast Ratio</b>	15000:1	
<b>Display Color</b>	1.07 Billion Colors	
<b>Lens</b>	F = 2.42 - 2.62, f = 19.0 - 22.65 mm	
<b>Aspect Ratio</b>	Native 16:9 (5 aspect ratio selectable)	
<b>Throw Ratio</b>	1.28 - 1.56 (100" @ 2.8m)	
<b>Image Size (Clear Focus / Maximum)</b>	60"-300"	
<b>Zoom Ratio</b>	1.2:1	
<b>Lamp Type</b>	210W	
<b>Lamp Mode (Normal/Eco/SmartEco)*</b>	4500 / 6000 / 10000 hours	
<b>Keystone Adjustment</b>	1D, Vertical +/- 40 degrees	
<b>Projection Offset</b>	107±5%	
<b>Lens Shift</b>	N/A	
<b>Resolution Support</b>	VGA(640 x 480) to WUXGA_RB (1920 x 1200) *RB = Reduced Blanking	
<b>Horizontal Frequency</b>	15 - 102KHz	
<b>Vertical Scan Rate</b>	23 - 120Hz	
<b>Color Wheel Segment</b>	6-Segment (RGBRGB)	
<b>Color Wheel Speed</b>	6x (50Hz), 4x (60Hz)	
<b>Compatibility</b>	HDTV Compatibility	480i, 480p, 576i, 576p, 720p, 1080i, 1080p
	Video Compatibility	NTSC, PAL, SECAM
<b>Interface</b>	3D Compatibility (Please refer to User's Manual for detailed support timing.)	Frame Sequential: Up to 720p 60Hz Frame Packing: Up to 1080p 24Hz Side by Side: Up to 1080i/p 24Hz Top Bottom: Up to 1080p 60Hz
	<b>PC (D-Sub)</b>	x 1 *integrate with component
<b>Interface</b>	<b>HDMI</b>	x 2
	<b>Composite video in (BNC)</b>	x 1
	<b>Audio In</b>	x 1
	<b>Audio Out</b>	x 1
	<b>Speaker</b>	2W x 1
	<b>USB (Type mini B)</b>	x 1 (Service)
	<b>RS232</b>	x 1
	<b>IR Receiver</b>	x 1 (Front)
<b>Physical</b>	Dimensions (W x H x D)	332.4 x 99 x 241.3 mm
	Weight	5.65 lbs (2.56 Kg)
<b>Power</b>	Power Supply	AC100 to 240 V, 50 to 60 Hz
	Power Consumption	Max 260W, Normal 252W, Eco 211W, Standby <0.5W
<b>Audible Noise</b>	33/31 dBA (Normal/Economic mode)	
<b>On-Screen Display Languages</b>	Arabic/Bulgarian/ Croatian/ Czech/ Danish/ Dutch/ English/ Finnish/ French/ German/ Greek/ Hindi/ Hungarian/ Italian/ Indonesian/ Japanese/ Korean/ Norwegian/ Polish/ Portuguese/ Romanian/ Russian/ Simplified Chinese/Spanish/ Swedish/ Turkish/ Thai/ Traditional Chinese (28 Languages)	
<b>Picture Modes</b>	Bright / <b>Vivid TV</b> / Cinema / Sport / User1 / User2 / (3D)	
<b>Accessories</b>	<b>Standard</b>	<b>Optional</b>
	Remote Control with Battery	Carry Bag
	Power Cord (by region)	Spare Lamp Kit
	User Manual CD	Ceiling Mount
	Quick Start Guide	Wireless FHD Kit
	Warranty Card	DLP 3D Glasses
<b>Environmental Notice</b>	Lamp in this product contains mercury. To dispose of the product or used lamps, consult your local environment authorities for regulations or see <a href="http://www.lamprecycle.org">www.lamprecycle.org</a> .	

\*Lamp life results will vary depending on environmental conditions and usage. Actual product's features and specifications are subject to change without notice.

\*\* Default picture mode is **Standard**. When 3D is on, picture mode menu only show 3D. When 3D is off, 3D will also disappear.

# WI1050 Digital Projector

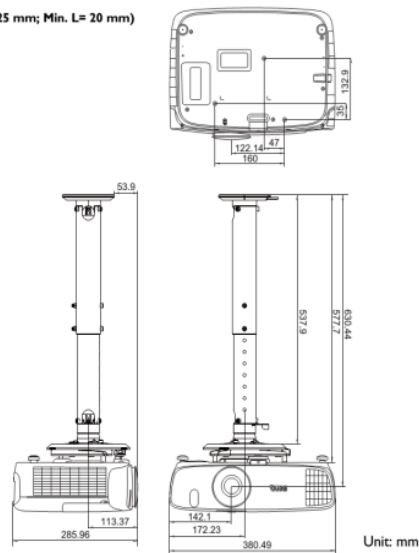
## Distance Chart



Screen size		Distance from screen(mm)			Vertical offset (mm)		
Diagonal	W	H	Min length	Max length			
Inch	mm	(mm)	(mm)	(max. zoom)	Average	(min. zoom)	
35	889	775	436	992	1100	1209	31
40	1016	886	498	1133	1257	1381	35
50	1270	1107	623	1417	1572	1727	44
60	1524	1328	747	1700	1886	2072	52
80	2032	1771	996	2267	2515	2763	70
100	2540	2214	1245	2834	3144	3454	87
120	3048	2657	1494	3400	3772	4144	105
150	3810	3321	1868	4250	4715	5180	131
200	5080	4428	2491	5667	6287	6907	174
220	5588	4870	2740	6234	6916	7598	192
250	6350	5535	3113	7084	7859	8634	218
300	7620	6641	3736	8501	9431	10361	262

## Wall Mount / Ceiling Mount Chart

◎ Ceiling mount screws: M4  
(Max. L = 25 mm; Min. L = 20 mm)



## Dimension

**332.4 mm (W) x 99 mm (H) x 241.3 mm (D)**

